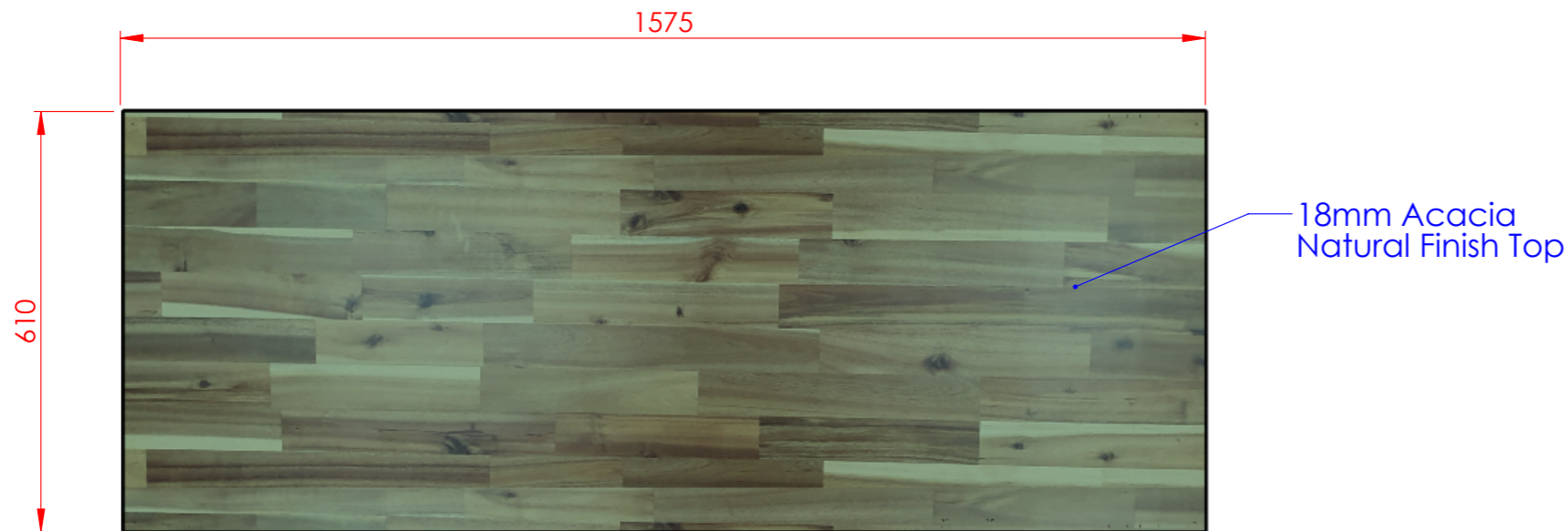
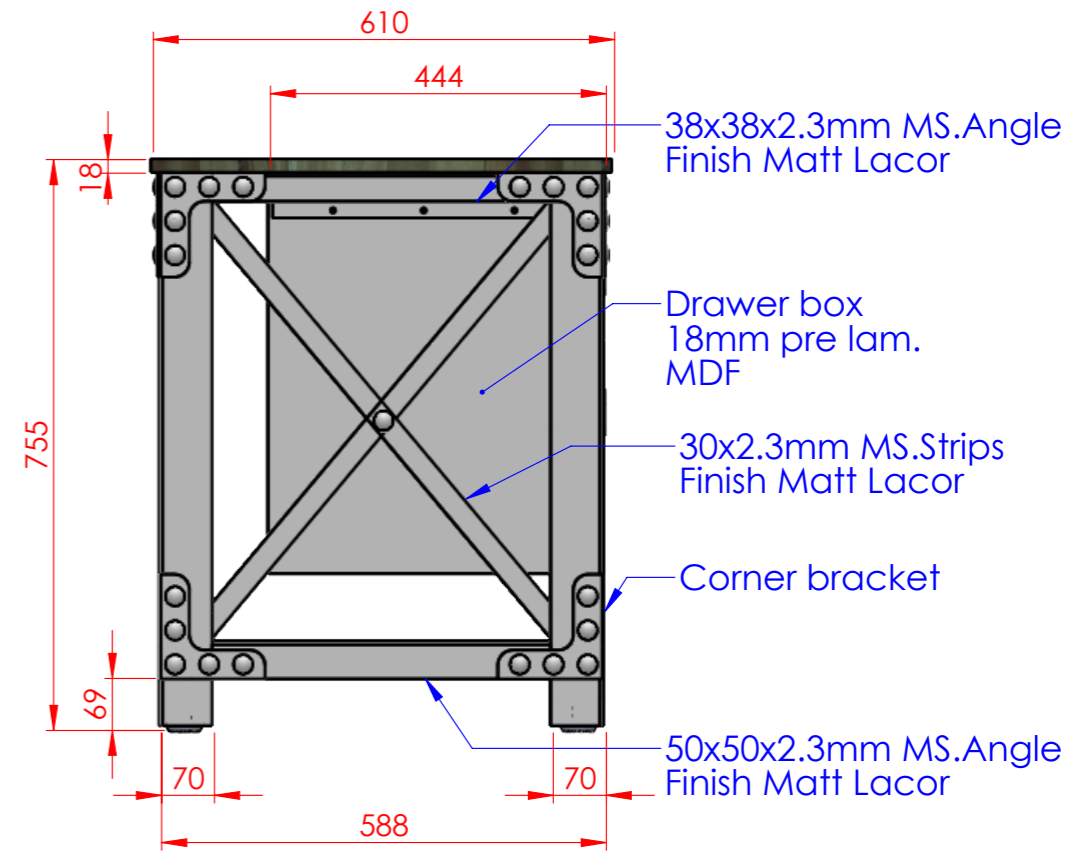
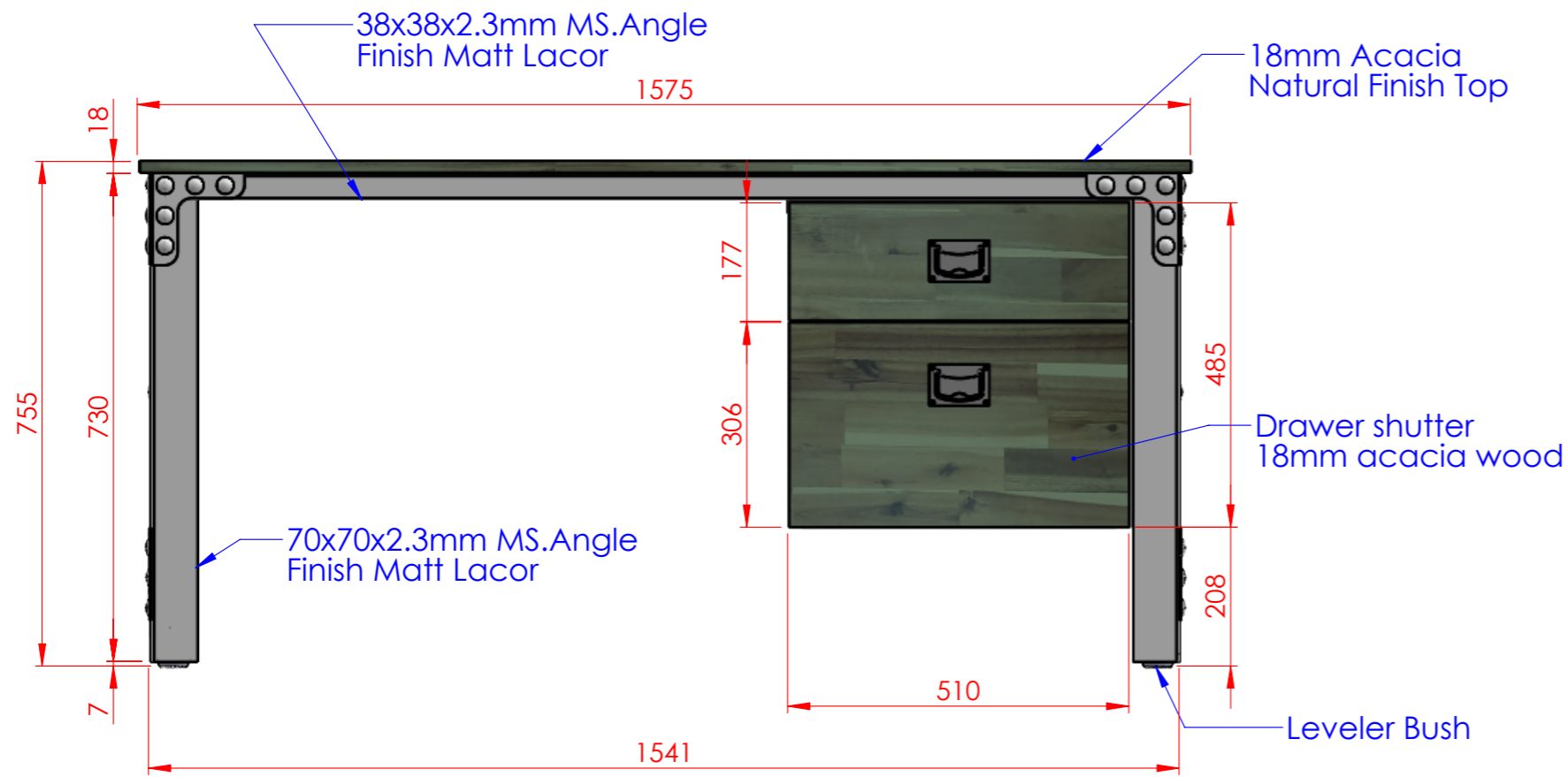


U:\USA Garage Tools\Work Table with Legs\Work Table 62 inch w drawers



DRAWN	Tahir	SHEET THK.:	-NA-	WEIGHT:	-----	S. AREA:	9079967.15mm ²
CHECKED	Harout k	MAT.:	Metal / Acacia Wood	FINISH:	Metal=Matt Lacor Wood= Natural		
APPROVED	Harout k	TITLE:					
DATE	20/04/2020	Industrial metal & wood desk w Drawer					
DWG. NO.	WTL 62 000	PRODUCT:	Work Table 62"	MODEL:	1575x610x775mm		
General Tolerance : ± 0.1 mm				P.O. Box 474039, Jabel Ali, Dubai Investment Park - 1, Dubai (United Arab Emirates) Tel: 04-8841650 Fax: 04-8841934		SHEET 1 OF 9	
COLOUR		Design & Development Department				SCALE	REV.
QUANTITY		ALL DIMENSIONS ARE IN MILLIMETERS AND ALL BEND RADII TO BE MIN. R AT 90° BEND, UNLESS SPECIFIED OTHERWISE THIS DRAWING IS THE PROPERTY OF TSSC, NOT TO BE REPRODUCED AS A PART OR WHOLE WITHOUT PRIOR CONSENT OF TSSC		N.T.S.		00	